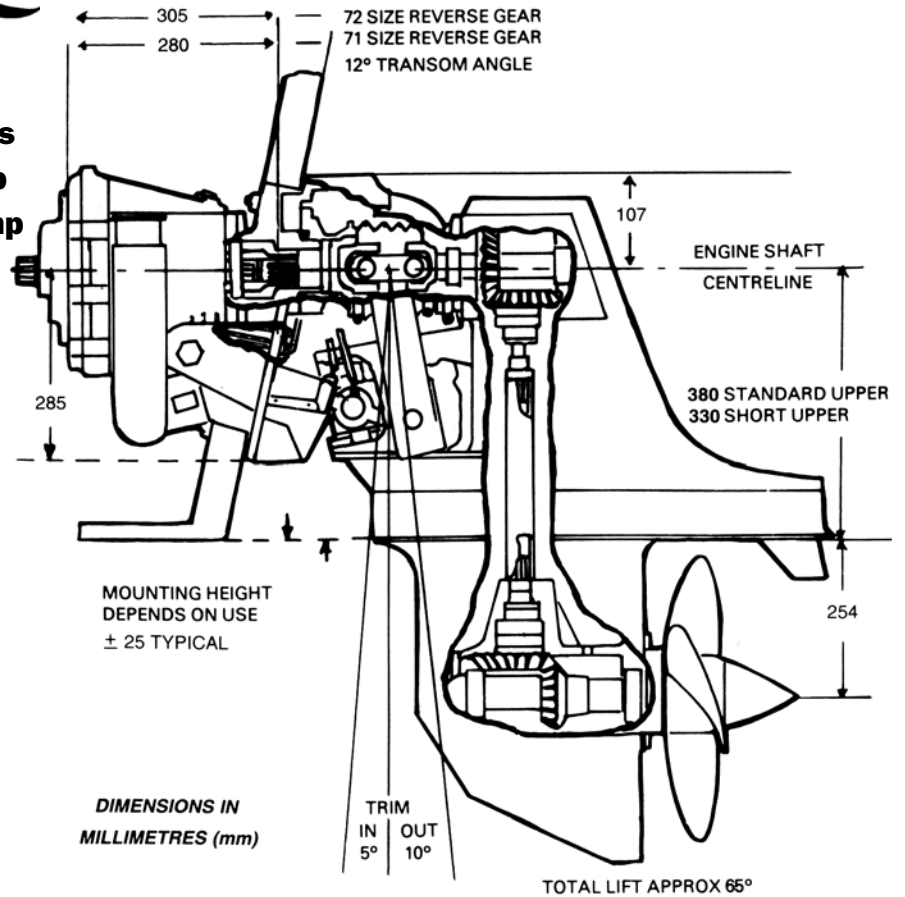


Sternpowr 100 Series Heavy Duty Sterndrives



**100 Series Heavy Duty Sterndrives
for Petrol engines 80 hp to 450 hp
and Diesel engines 80 hp to 280 hp**



General Characteristics

Built-in Hydraulic Steering
Built-in Electric/Hydraulic Trim and Tilt
Kick-up Protection from Hydraulic Valves in Piston Heads
65° Total Tilt Angle
Left-hand or Right-hand Propeller Rotation to choice
Anodes provided for Cathodic Protection
Helm Head and Hoses (or tie-bar assembly) included
Trim Control Switch and Loom included

Optional extras

Integral or Remote Mounted Hydraulic Gearbox
Remote Shaft Kit
Drive Leg Extension
Propeller
Through-transom Exhaust Outlet
Through-transom Water Pickup Kit
Propeller Thrust Gauge
Power Trim Position indicator
24v or Insulated Return Electrics

Technical data

| Model | 113 | Max HP/100RPM |
|--|------------|---------------|
| Maximum prop diameter | 19" | |
| Prop type | Solid hub | |
| Reduction ratios | 1.00 | 10.0 |
| | 1.16 | 10.0 |
| | 1.32 | 7.5 |
| | 1.54 | 7.5 |
| | 1.66 | 6.8 |
| | 2.00 | 5.7 |
| Boat speed range | 0 – 40 MPH | |
| Max all-up weight per drive (tons) | 4 | |
| Weight (Kgs) including lubricant (excluding hydraulic gear) | 114 | |